



R A I S I N G   T H E   B A R



**RHINO**  
SEEDING SYSTEM  
**2020**

# RHINO HYBRID SEED BOOT TO SUIT EQUALIZER

AUS PATENT NUMBER: 2018100865

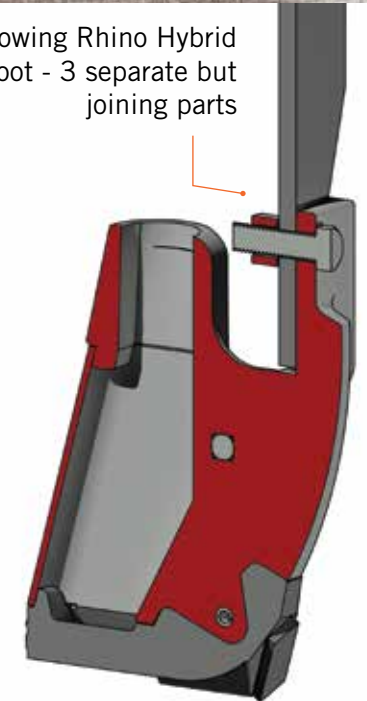
Groundhog Industries has been at the forefront of the design and manufacture of seed boot technology for a decade. We have extensive experience in seed boot product delivery and wearing materials to suit the most abrasive agricultural conditions on the planet.

Our latest seed boot to suit the Equalizer™ Min Till machine is our Rhino Hybrid Seed Boot system.

To suit equalizer



Showing Rhino Hybrid boot - 3 separate but joining parts



- Designed so only the wearing parts need to be changed to reduce cost.
- Single or split seeding options all in one boot for different crops.
- Seed access cover is removable to free any blockage.
- Trialled in 2018 season with excellent results in abrasive conditions.

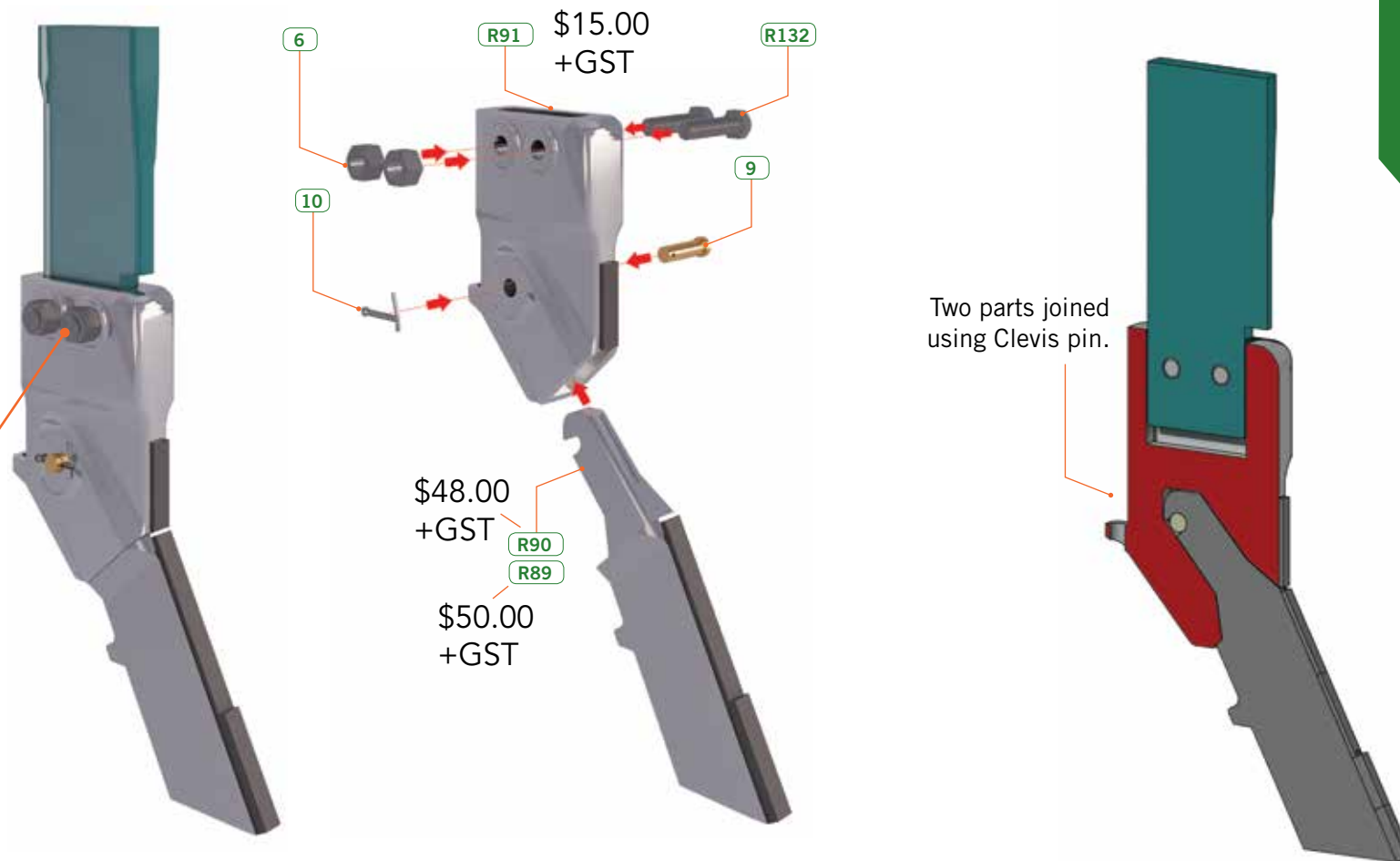
R93	R93-STH	Rhino Hybrid Seed Boot Holder
R93A	R93A-RSA	Rhino Seed Access Cover for Splitting Tool
R93B	R93B-RSA	Rhino Seed Access Cover for 30mm Wear Shoe
19	GH010	Roll Pin
R92	R92-EST	Rhino Splitting Tool
24	24-GH030HD	Wear Shoe 30mm HD Tungsten
R130	R130-CHB	Cup Head Bolt 7/16 x 38mm
R131	R131-NN	Nyloc Nut 7/16
R94	R94-CB	Cricket Bat

# RHINO BLADE SYSTEM TO SUIT EQUALIZER

AUS PATENT NUMBER: 2018100789  
SOUTH AFRICA DESIGN APPL. NO.: A2018/01120

Groundhog Industries has been the leader in design and manufacture of knife point / shear technology for a decade. We sell thousands each year. We have extensive experience in materials and designs and tungsten carbide application to suit the most abrasive agricultural conditions on the planet.

Our latest shear / knife to suit the Equalizer™ Min Till machine is our Rhino Blade System.



- The Rhino Blade System comprises two parts. Holder and Blade.
- Holder and Blade are joined using a Clevis and Split Pin.
- The Rhino Blade and Holder are tapered to assist extraction.
- The Holder has a cast hole at rear to allow for liquid fertiliser tube.
- Two options of Straight Blade or Busting Blade.

6	6-M12CONE	Cone lock Nut M12
9	9-GH005	Clevis Pin
10	10-GHSPIN	Split Pin
R89	R89-RSB	Rhino Straight Blade 6"
R90	R90-RSB	Rhino Straight Blade 5"
R91	R91-RBH	Rhino Blade Holder
R132	R132-B1250	Bolt M12 x 50

## WA DEALERS

### ALBANY

McIntosh & Son  
Albany  
Phone: (08) 9847 4255

### ESPERANCE

McIntosh & Son  
Esperance  
Phone: (08) 9071 1155

### GERALDTON

McIntosh & Son  
Geraldton  
Phone: (08) 9960 5500

### KATANNING

McIntosh & Son  
Katanning  
Phone: (08) 9821 7000

### KULIN

McIntosh & Son  
Kulin  
Phone: (08) 9880 2556

### MERREDIN

McIntosh & Son  
Merredin  
Phone: (08) 9041 1099

### MOORA

McIntosh & Son  
Moora  
Phone: (08) 9651 1488

### WONGAN HILLS

McIntosh & Son  
Wongan Hills  
Phone: (08) 9671 1300

## SA DEALERS

### CUMMINS

Curtis's  
Cummins  
Phone: (08) 8676 2117

### TUMBY BAY

Curtis's  
Tumby Bay  
Phone: (08) 8688 2119

### WUDINNA

Curtis's  
Wudinna  
Phone: (08) 86 802 161

### BORDERTOWN

O'Connors  
Bordertown  
Phone: (08) 8752 1311

## NSW DEALERS

### BEULAH

Beulah Machinery  
Cowra  
Phone: (02) 6341 3270

### COROWA

O'Connors  
Corowa  
Phone: (02) 6033 1666

### CONDOBOLIN

O'Connors  
Condobolin  
Phone: (02) 6895 2622

### WEST WYALONG

O'Connors  
West Wyalong  
Phone: (02) 6972 2288

### FORBES

O'Connors  
Forbes  
Phone: (02) 6852 1200

### GRENFELL

O'Connors  
Grenfell  
Phone: (02) 6343 1422

## VIC DEALERS

### YARRAWONGA

McBurnie Group  
Yarrawonga  
Phone: (03) 5744 1111

### BIRCHIP

O'Connors  
Birchip  
Phone: (03) 5492 2311

### HORSHAM

O'Connors  
Horsham  
Phone: (03) 5382 1727

### WARRACKNABEAL

O'Connors  
Warracknabeal  
Phone: (03) 5398 1877

### SHEPPARTON

O'Connors  
Shepparton  
Phone: (03) 5821 4555



RAISING THE BAR

FOR SALES CONTACT:

TEL: 08 9337 7919

PO BOX 291 SOUTH FREMANTLE 6162

1C ADAMS STREET, O'CONNOR 6163

EMAIL: SALES@GROUNDHOG.COM.AU

  [WWW.GROUNDHOG.COM.AU](http://WWW.GROUNDHOG.COM.AU)

#### WARRANTY INFORMATION

As the selection, set-up and use of tillage and seeding equipment is affected by variables beyond our control, neither the Manufacturer nor any persons employed on its behalf including dealers or agents are liable for any loss or damage, whether consequential or otherwise, resulting from the use of its products. Warranty may / may not apply where any product is used for other than its intended and recommended purpose, or is subjected to pressures, loads or conditions beyond that for which it is designed. Should a product not perform its intended or recommended function, contact Groundhog Industries.